

Application

The VFD-10D-IMA fire damper employs curtain style blades and a factory installed integral mounting angle for point-of-origin control of fire in static and dynamic HVAC systems. The integral mounting angle is designed and approved to be fastened directly to the fire separation and may be installed under the drywall in metal stud construction. The VFD-10D-IMA is qualified to 2,000 ft/min (10.2 m/s) and 4 in.wg. (1.0 kPa) and may be installed in vertical walls or partitions with fire resistance ratings up to 2 hours.

Standard Construction

Sleeve/Frame: Integral 12" × 20 gauge (305 × 1.0) galvanized steel with 1-½" × 20 gauge (38 × 1.0) galvanized steel integral single side mounting angle.

Blades: 24 gauge (0.7) galvanized steel – curtain style.

Fire Closure Device: UL listed fusible link.

Fire Closure Temperature: 165°F (75°C).

Minimum Size: 6" × 6" (152 × 152)

Maximum Size: 36" × 36" (914 × 914)

Options

- Alternate sleeve/frame length:
 - 16" (406) Other _____
- Transitions: Round Oval
 - Duct connections:
 - 1" (25) S-clip 1½" (38) S-clip DM-25 DM-35
 - S & Drive
- Alternate fire closure temperature.
 - 212°F (100°C) 286°F (141°C)
- Duct access door factory mounted in common sleeve.
- Generic mullion for oversized masonry or concrete openings.

Ratings

UL 555 Fire Resistance Rating: 1½ hour (vertical)

Maximum Dynamic Closure Velocity: 2,000 fpm (10.2 m/s)

Maximum UL555S Rated Pressure: 4 in.wg. (1.0 kPa)

Listings

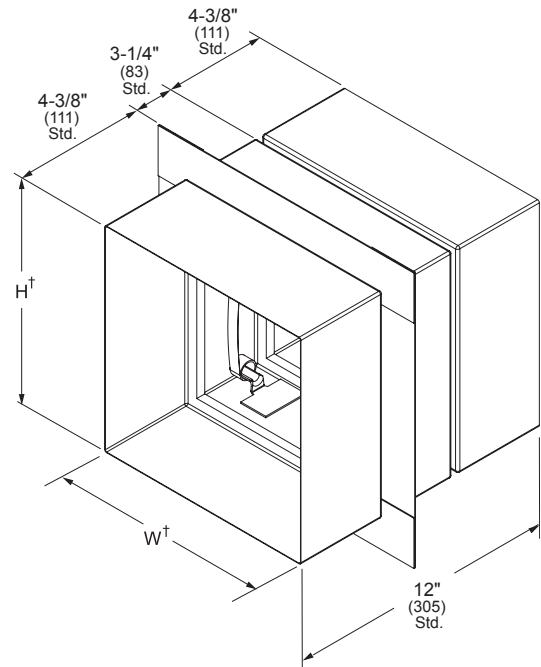
UL 555 listing: R11767

CSFM listing: 3225-0368:101

New York City MEA listing: 295-98-E

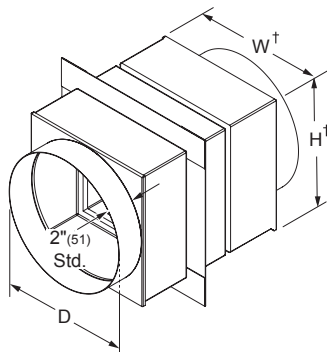
Meets NFPA Standards: 90A, 92A, 92B and 101

Meets Building Code Standards: IBC, NBC, NFPA, SBC and UBC

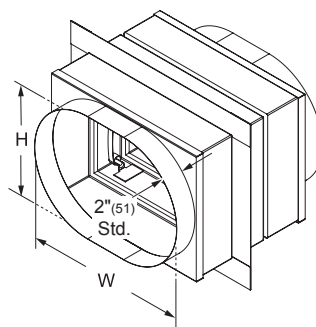


Model **VFD-10D-IMA**
(standard)

† Damper dimensions furnished approximately 1/8" (3) undersize.

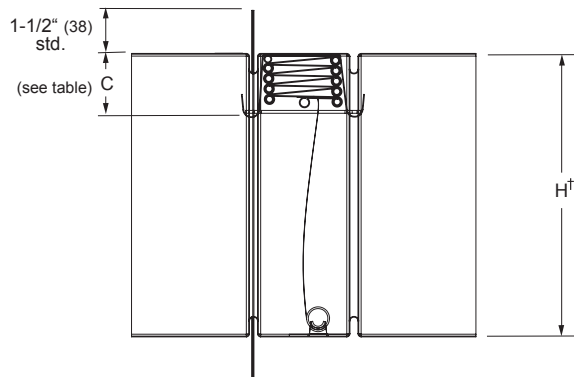


Type AR (optional)
 Round duct transitions are standard with D=W=H. (available with D<W and H)



Type AO (optional)
 Oval duct transitions are standard with W and H equal to damper width and height dimensions. (available with W and H smaller than damper width and height)

Blade Stack Dimensional Data



†Damper dimensions furnished approximately 1/8" (3) undersize.

Nominal Duct Height 'H'	Blade Stack Height 'C'
6" (152)	1-1/16" (27)
7" (178)	1-3/16" (30)
8" (203)	1-3/16" (30)
9" (229)	1-3/16" (30)
10" (254)	1-7/16" (37)
11" (279)	1-7/16" (37)
12" (305)	1-7/16" (37)
13" (330)	1-9/16" (40)
14" (356)	1-9/16" (40)
15" (381)	1-13/16" (46)
16" (406)	1-13/16" (46)
17" (432)	1-13/16" (46)
18" (457)	1-15/16" (49)
19" (483)	1-15/16" (49)
20" (508)	2-3/16" (56)
21" (533)	2-3/16" (56)
22" (559)	2-3/16" (56)
23" (584)	2-5/16" (59)
24" (610)	2-5/16" (59)
25" (635)	2-9/16" (65)
26" (660)	2-9/16" (65)
27" (686)	2-9/16" (65)
28" (711)	2-11/16" (68)
29" (737)	2-11/16" (68)
30" (762)	2-15/16" (75)
31" (787)	2-15/16" (75)
32" (813)	2-15/16" (75)
33" (838)	3-1/16" (78)
34" (864)	3-1/16" (78)
35" (889)	3-5/16" (84)
36" (914)	3-5/16" (84)