

Application

The VFD-10D-B fire damper employs out of the airstream curtain style blades for point-of-origin control of fire in static and dynamic HVAC systems. The VFD-10D-B is qualified to 2,000 ft/min (10.2 m/s) and 4 in.wg. (1.0 kPa) and may be installed in vertical walls or partitions, or horizontally in floors or assemblies with fire resistance ratings up to 2 hours.

Standard Construction

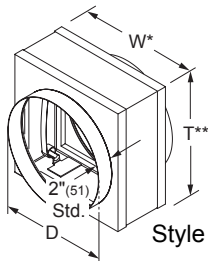
- Frame:** 22 gauge (0.85) galvanized steel.
- Blades:** 24 gauge (0.7) galvanized steel – curtain style.
- Fire Closure Device:** Fusible link.
- Fire Closure Temperature:** 165°F (75°C).
- Minimum Size:** 6" × 4" (152 × 102)
- Maximum Size:** Vertical mount: 36" × 33" (915 × 838)
 Horizontal mount: 24" × 22" (610 × 559)

Options

- Factory installed sleeve: Integral
 Gauge: 20 (1.0) 18 (1.3) 16 (1.6) 14 (2.0) 10 (3.5)
 Length: 12" (305) 16" (406) 24" (610) Other _____
- Low leakage taped joints. (Integral sleeve required)
- Transitions:
 - Round Oval
 - Duct connections (sleeve required):
 - 1" (25) S-clip 1½" (38) S-clip DM-25 DM-35
- Retaining angle systems:
 - Gauge: 20 (1.0) 16 (1.6)
 - Picture frame: SSPF (single-side) DSPF (2-side)
 - Individual angle sets: SS (single-side) DS (2-side)
- Alternate fire closure temperature.
 - 212°F (100°C) 286°F (141°C)
- Duct access door factory mounted in common sleeve.
- Generic mullion for oversized masonry or concrete openings.
- Type-304 stainless steel construction.

Round Transitions

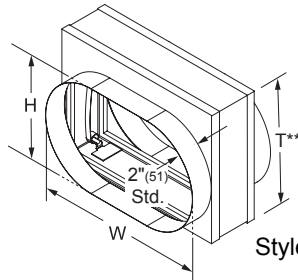
(Standard with D=W=H. Available with D<W and H)



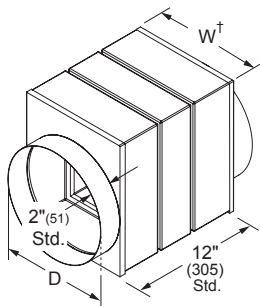
Style BR (optional)

Oval Transitions

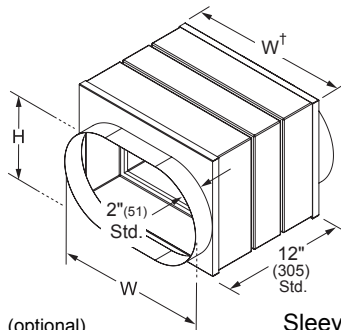
(Standard with W and H equal to damper width and height dimensions. Available with W and H smaller than damper width and height)



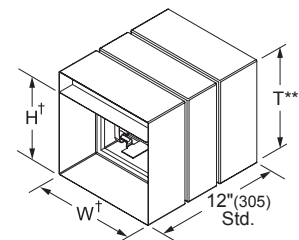
Style BO (optional)



Sleeve Style ISBR (optional)



Sleeve Style ISBO (optional)



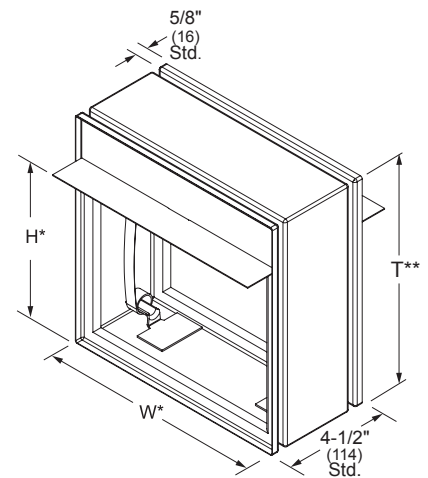
Sleeve Style ISB (optional)

Ratings

- UL 555 Fire Resistance Rating:** 1½ hour (vertical and horizontal)
- UL HNLJ.V-5:** Ventilation Duct Assemblies
- Maximum Dynamic Closure Velocity:** 2,000 fpm (10.2 m/s)
- Maximum UL555S Rated Pressure:** 4 in.wg. (1.0 kPa)

Listings

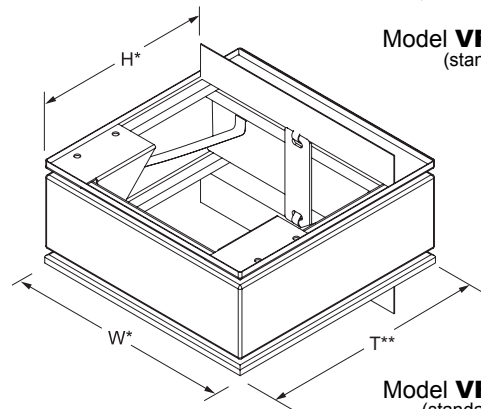
- UL 555 listing:** R11767
- CSFM listing:** 3225-0368:101
- New York City MEA listing:** 295-98-E
- Meets NFPA Standards:** 90A, 92A, 92B and 101
- Meets Building Code Standards:** IBC, NBC, NFPA, SBC and UBC



Model **VFD-10D-B**
(standard-vertical)

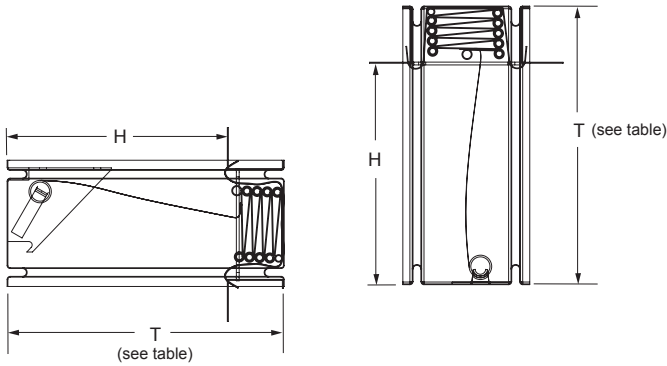
* Damper dimensions furnished approximately 1/4" (6) undersize.

† Damper dimensions furnished approximately 1/8" (3) undersize.



Model **VFD-10D-B**
(standard-horizontal)

Damper Height Dimensional Data



Nominal Duct Height 'H'	Damper Height 'T'
4" (102)	6" (152)
5" (127)	7" (178)
6" (152)	8" (203)
7" (178)	9" (229)
8" (203)	10" (254)
9" (229)	11" (279)
10" (254)	12" (305)
11" (279)	13" (330)
12" (305)	14" (356)
13" (330)	15" (381)
14" (356)	16" (406)
15" (381)	17" (432)
16" (406)	18" (457)
17" (432)	19" (483)
18" (457)	20" (508)
19" (483)	21" (533)
20" (508)	22" (559)
21" (533)	23" (584)
22" (559)	24" (610)
23" (584)	25" (635)
24" (610)	26" (660)
25" (635)	28" (686)
26" (660)	29" (711)
27" (686)	30" (737)
28" (711)	31" (762)
29" (737)	32" (787)
30" (762)	33" (813)
31" (787)	34" (838)
32" (813)	35" (864)
33" (838)	36" (889)

Vertical Dampers Only