

Application

The VFD-10D-A fire damper employs curtain style blades for point-of-origin control of fire in static and dynamic HVAC systems. The VFD-10D-A is qualified to 2,000 ft/min (10.2 m/s) and 4 in.wg. (1.0 kPa) and may be installed in vertical walls or partitions, or horizontally in floors or assemblies with fire resistance ratings up to 2 hours.

Standard Construction

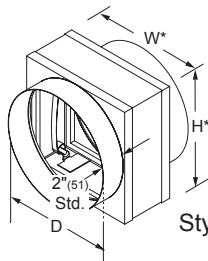
- Frame:** 22 gauge (0.85) galvanized steel.
- Blades:** 24 gauge (0.7) galvanized steel – curtain style.
- Fire Closure Device:** Fusible link.
- Fire Closure Temperature:** 165°F (75°C).
- Minimum Size:** 6" × 6" (152 × 152)
- Maximum Size:** Vertical mount: 36" × 36" (915 × 915)
 Horizontal mount: 24" × 24" (610 × 610)

Options

- Factory installed sleeve: Integral
 Gauge: 20 (1.0) 18 (1.3) 16 (1.6) 14 (2.0) 10 (3.5)
 Length: 12" (305) 16" (406) 24" (610) Other _____
- Low leakage taped joints. (Integral sleeve required)
- Transitions: Flanged (sleeve required)
 - Round Oval
 - Duct connections (sleeve required):
 - 1" (25) S-clip 1½" (38) S-clip DM-25 DM-35
 - S & Drive
- Retaining angle systems:
 Gauge: 20 (1.0) 16 (1.6)
 Picture frame: SSPF (single-side) DSPF (2-side)
 Individual angle sets: SS (single-side) DS (2-side)
- Alternate fire closure temperature.
 212°F (100°C) 286°F (141°C)
- Duct access door factory mounted in common sleeve.
- Generic mullion for oversized masonry or concrete openings.
- Type-304 stainless steel construction.

Round Transitions

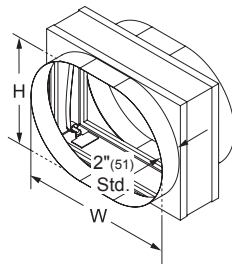
(Standard with D=W=H. Available with D<W and H)



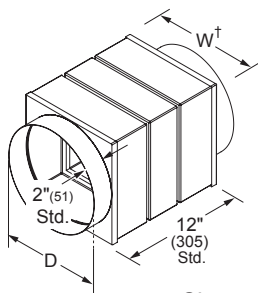
Style AR (optional)

Oval Transitions

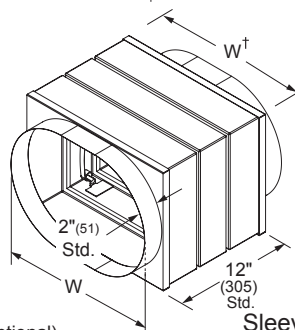
(Standard with W and H equal to damper width and height dimensions. Available with W and H smaller than damper width and height)



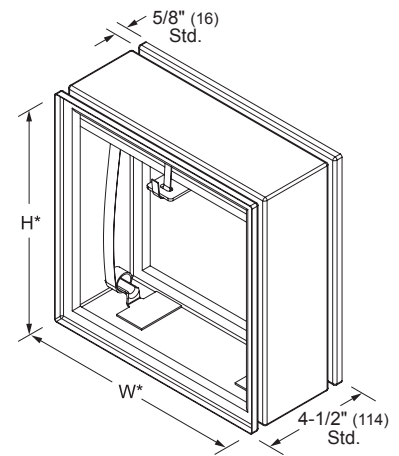
Style AO (optional)



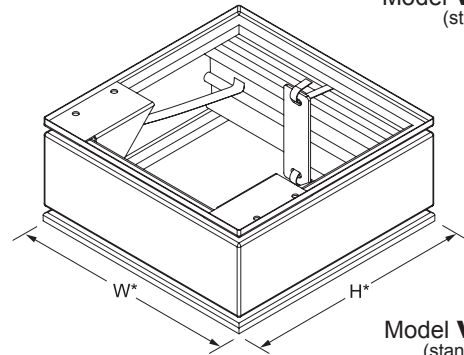
Sleeve Style ISAR (optional)



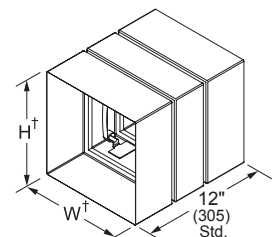
Sleeve Style ISAO (optional)



Model **VFD-10D-A**
(standard-vertical)



Model **VFD-10D-A**
(standard-horizontal)



Sleeve Style ISA (optional)

Ratings

- UL 555 Fire Resistance Rating:** 1½ hour (vertical and horizontal)
- UL HNLJ.V-5:** Ventilation Duct Assemblies
- Maximum Dynamic Closure Velocity:** 2,000 fpm (10.2 m/s)
- Maximum UL555S Rated Pressure:** 4 in.wg. (1.0 kPa)

Listings

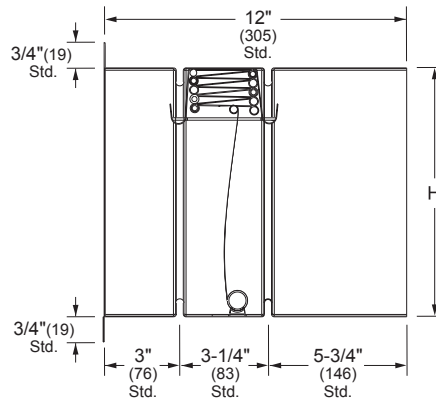
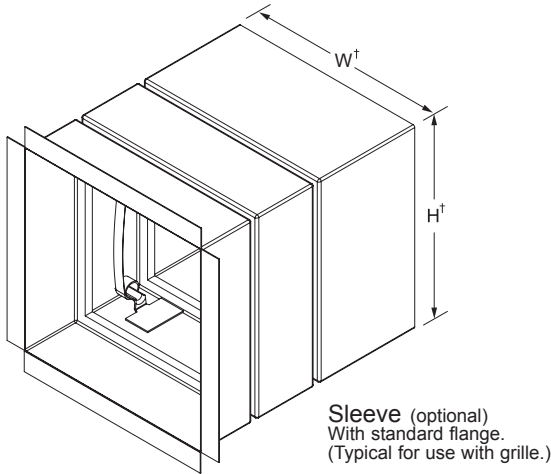
- UL 555 listing:** R11767
- CSFM listing:** 3225-0368:101
- New York City MEA listing:** 295-98-E
- Meets NFPA Standards:** 90A, 92A, 92B and 101
- Meets Building Code Standards:** IBC, NBC, NFPA, SBC and UBC



* Damper dimensions furnished approximately 1/4" (6) undersize.

† Damper dimensions furnished approximately 1/8" (3) undersize.

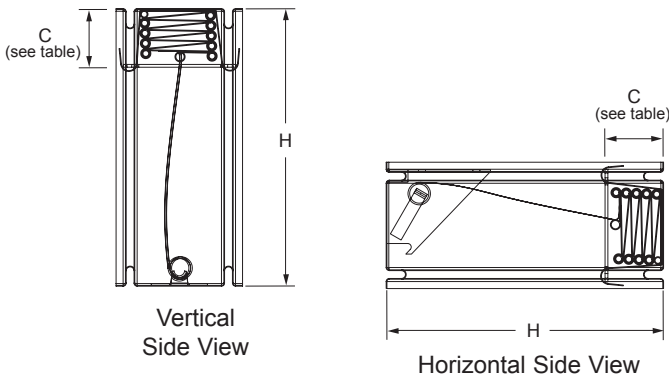
Flanged Transition



Side View

†Damper dimensions furnished approximately 1/8" (3) undersize.

Blade Stack Dimensional Data



Nominal Duct Height 'H'	Blade Stack Height 'C'
6" (152)	1-1/16" (27)
7" (178)	1-3/16" (30)
8" (203)	1-3/16" (30)
9" (229)	1-3/16" (30)
10" (254)	1-7/16" (37)
11" (279)	1-7/16" (37)
12" (305)	1-7/16" (37)
13" (330)	1-9/16" (40)
14" (356)	1-9/16" (40)
15" (381)	1-13/16" (46)
16" (406)	1-13/16" (46)
17" (432)	1-13/16" (46)
18" (457)	1-15/16" (49)
19" (483)	1-15/16" (49)
20" (508)	2-3/16" (56)
21" (533)	2-3/16" (56)
22" (559)	2-3/16" (56)
23" (584)	2-5/16" (59)
24" (610)	2-5/16" (59)
25" (635)	2-9/16" (65)
26" (660)	2-9/16" (65)
27" (686)	2-9/16" (65)
28" (711)	2-11/16" (68)
29" (737)	2-11/16" (68)
30" (762)	2-15/16" (75)
31" (787)	2-15/16" (75)
32" (813)	2-15/16" (75)
33" (838)	3-1/16" (78)
34" (864)	3-1/16" (78)
35" (889)	3-5/16" (84)
36" (914)	3-5/16" (84)

Vertical Damper Only